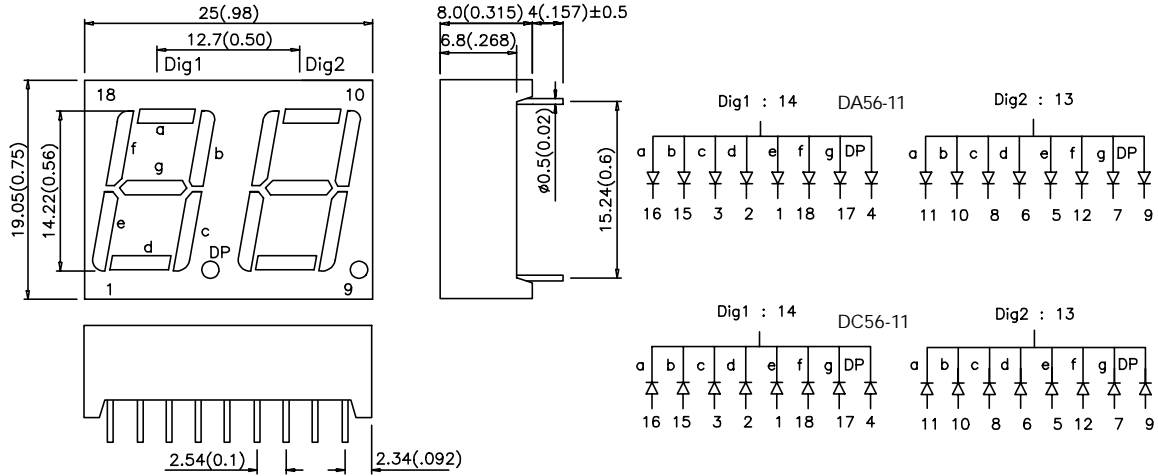


DA/DC56 Series



NOTES :

1. All dimensions are in millimeters (inches)
2. Tolerance is $\pm 0.25\text{mm}(0.01")$ unless otherwise noted.